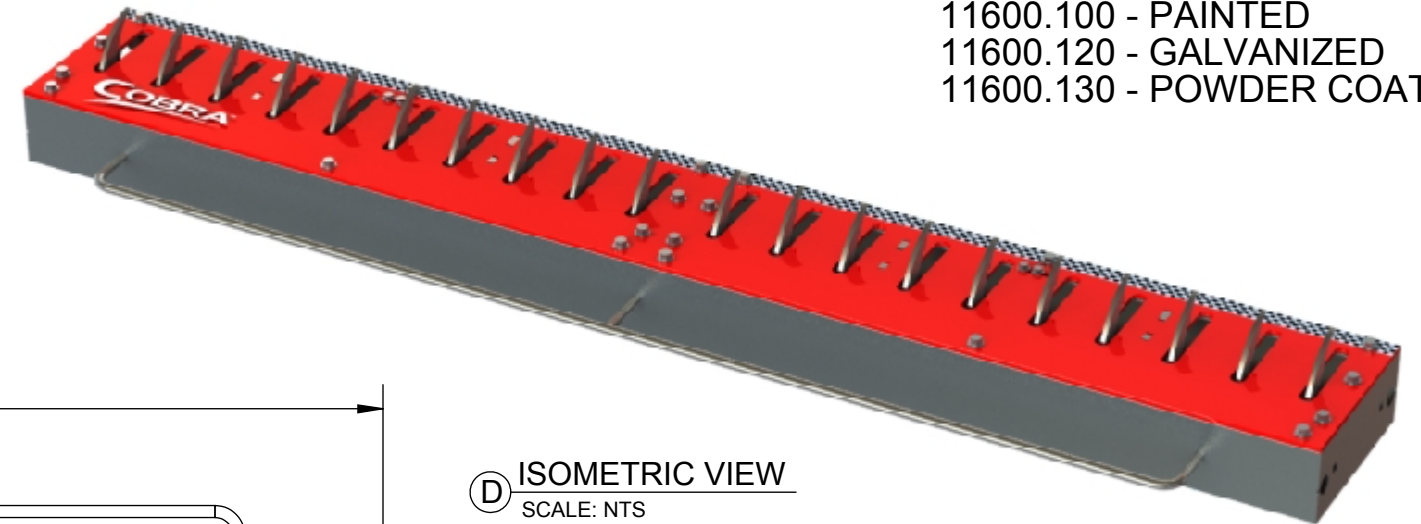
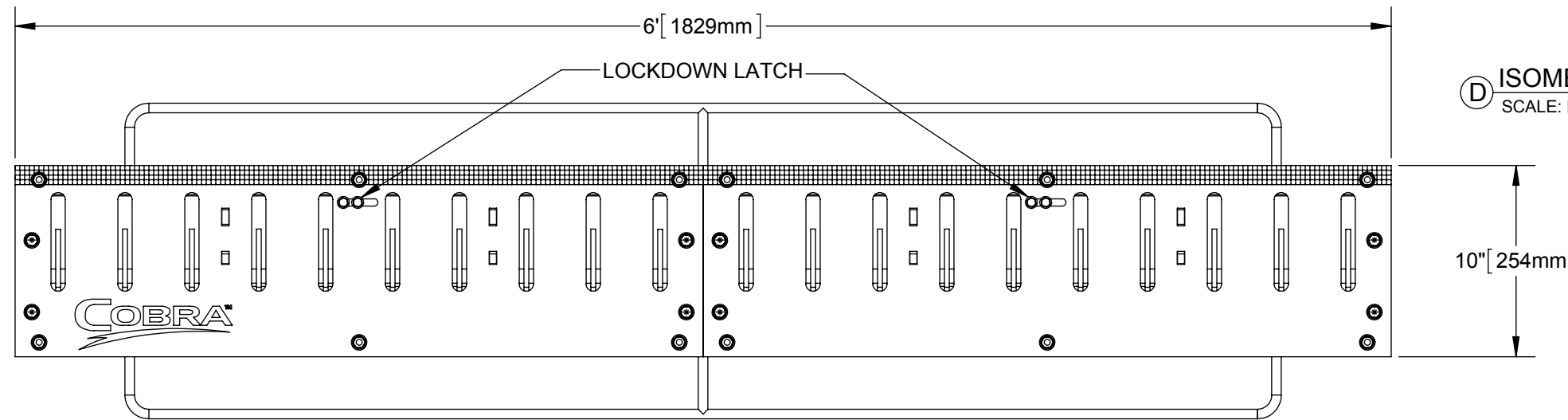


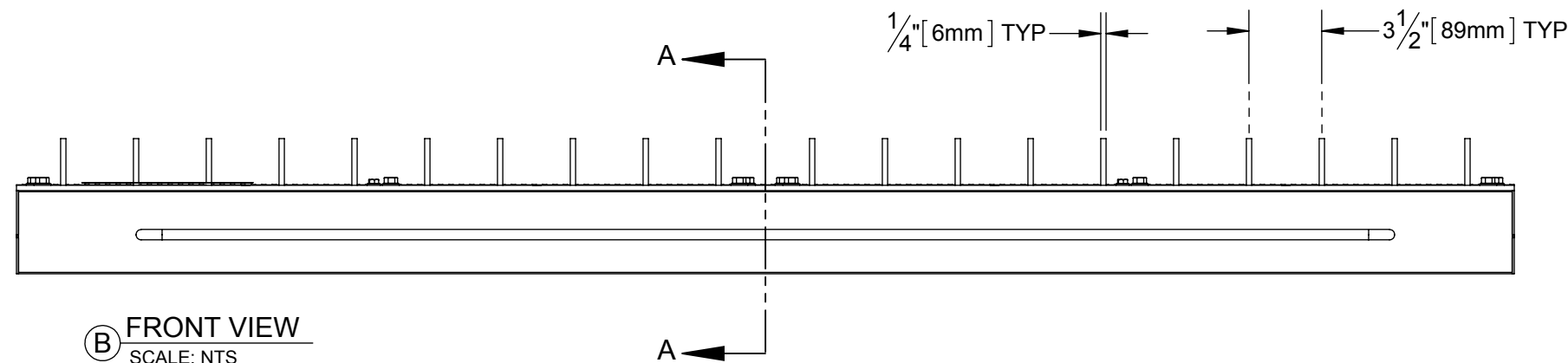
NOTES:
 ALL STEEL CONSTRUCTION
 PART NUMBERS:
 11600.100 - PAINTED
 11600.120 - GALVANIZED
 11600.130 - POWDER COATED



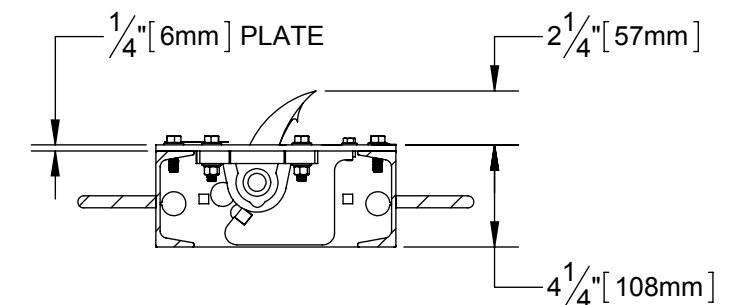
D ISOMETRIC VIEW
 SCALE: NTS



A TOP VIEW
 SCALE: NTS



B FRONT VIEW
 SCALE: NTS



SECTION A-A

C SIDE VIEW
 SCALE: NTS



Distributed by: **SECURE LANE**
www.secure-lane.com
 520.780.9751
sales@secure-lane.com

COPYRIGHT © 2013 GUARDIAN TRAFFIC SYSTEMS
 Proprietary Rights are included in all the information disclosed herein. This information is submitted in confidence and neither this document nor the information disclosed herein shall be reproduced or transferred to any other document, nor shall it be used or disclosed to any persons for manufacturing or any other reason except as specifically authorized in writing by Guardian Traffic Systems.

UNLESS OTHERWISE SPECIFIED:
 DIMENSIONS ARE IN INCHES
 TOLERANCES:
 FRACTIONAL: ± 1/8"
 ANGULAR: MACH ± 1° BEND ± R1/6"
 TWO PLACE DECIMAL ±.01
 THREE PLACE DECIMAL ±.005

MATERIAL:		SIZE	PART NUMBER		REV	DESCRIPTION
N/A		B	11600		-	COBRA 6' (1829mm) IN-GROUND TRAFFIC SPIKE SECTION
DO NOT SCALE DRAWING	NAME		DATE	WEIGHT: N/A	SHEET 1	
DRAWN	RLS	11/14/13	SCALE: N/A			