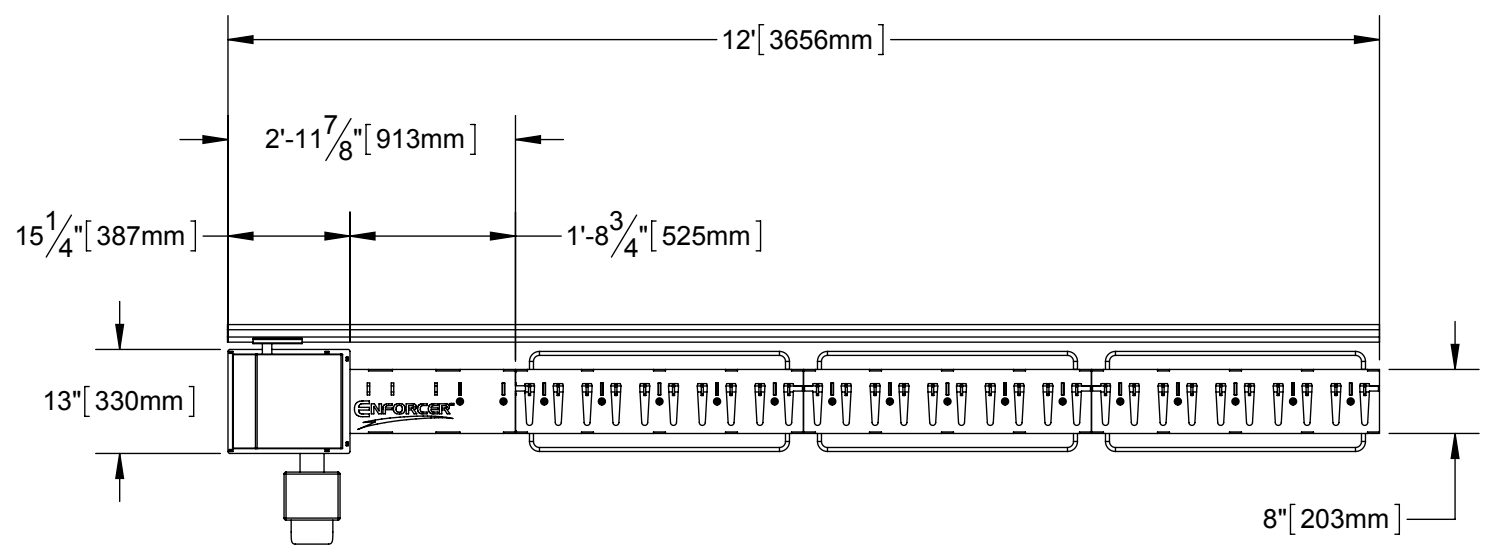
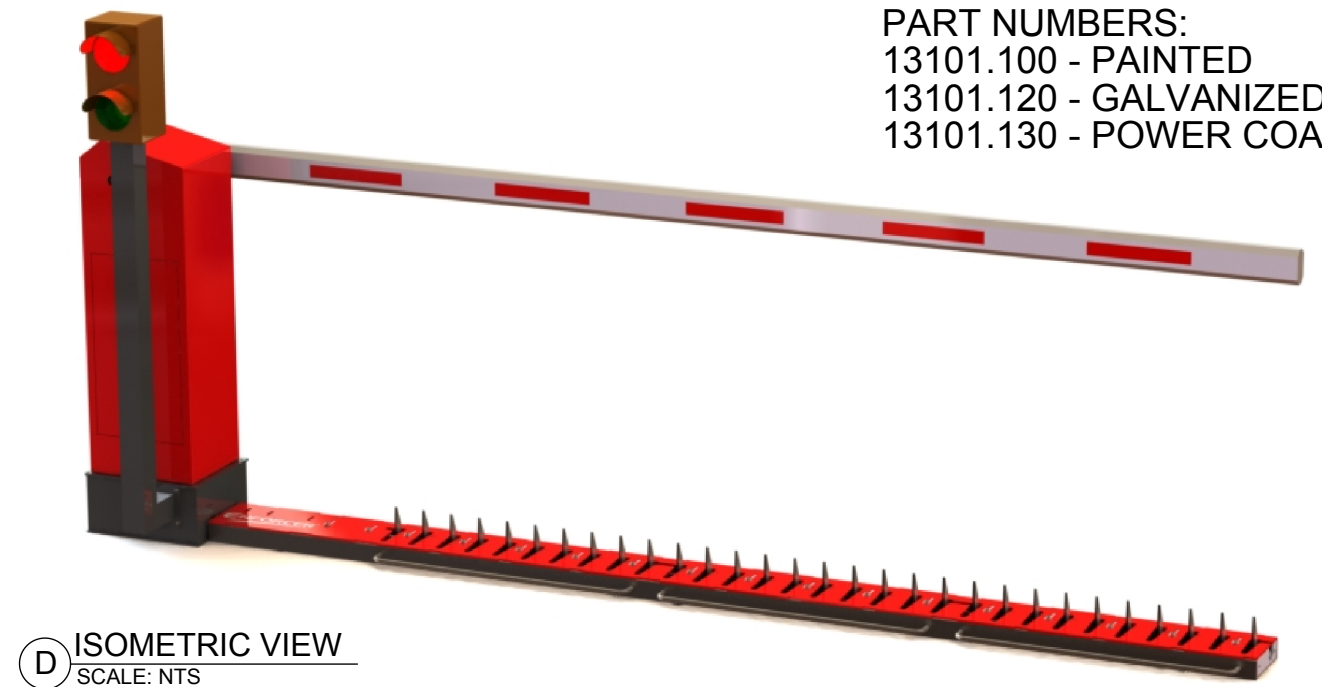


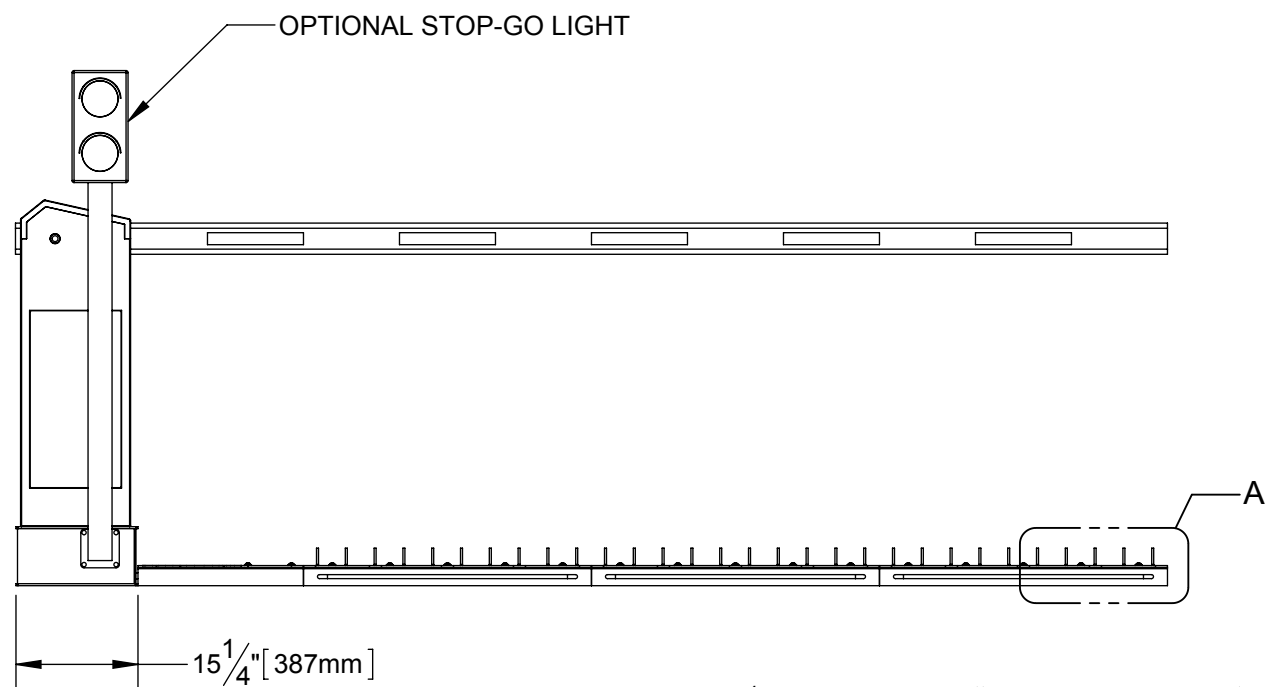
NOTES:  
 ALL STEEL CONSTRUCTION  
 PART NUMBERS:  
 13101.100 - PAINTED  
 13101.120 - GALVANIZED  
 13101.130 - POWER COATED



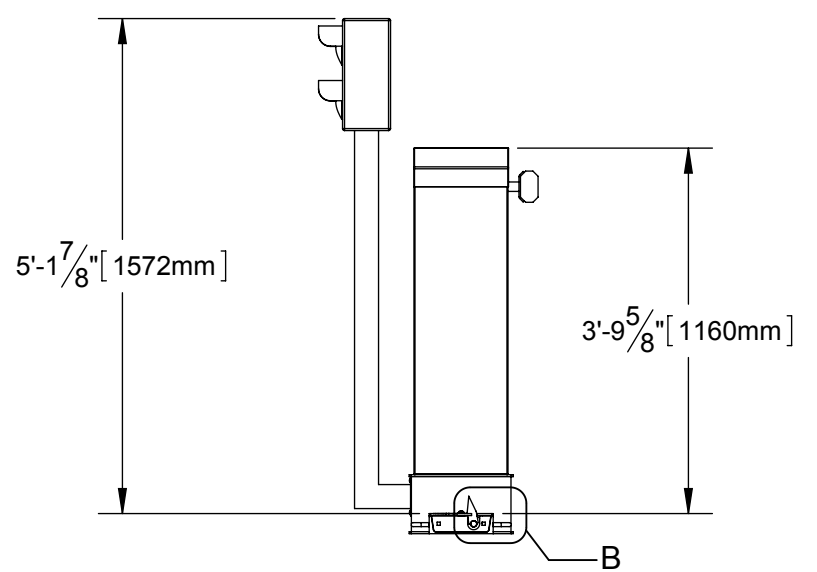
(A) TOP VIEW  
 SCALE: NTS



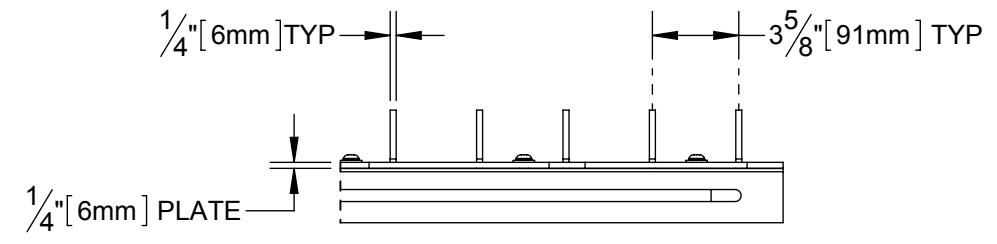
(D) ISOMETRIC VIEW  
 SCALE: NTS



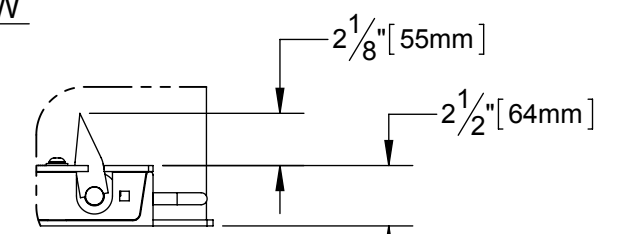
(B) FRONT VIEW  
 SCALE: NTS



(C) SIDE VIEW  
 SCALE: NTS



DETAIL A



DETAIL B



Distributed by: SECURE LANE  
 www.secure-lane.com  
 520-780-7951

COPYRIGHT © 2013 GUARDIAN TRAFFIC SYSTEMS  
 Proprietary Rights are included in all the information disclosed herein. This information is submitted in confidence and neither this document nor the information disclosed herein shall be reproduced or transferred to any other document, nor shall it be used or disclosed to any persons for manufacturing or any other reason except as specifically authorized in writing by Guardian Traffic Systems.

UNLESS OTHERWISE SPECIFIED:  
 DIMENSIONS ARE IN INCHES  
 TOLERANCES:  
 FRACTIONAL: ± 1/8"  
 ANGULAR: MACH ± 1° BEND ± R1/6"  
 TWO PLACE DECIMAL ±.01  
 THREE PLACE DECIMAL ±.005

MATERIAL:		N/A		SIZE	PART NUMBER	REV	DESCRIPTION
DO NOT SCALE DRAWING	NAME	DATE		B	13101	-	ENFORCER 12' (3.5M) MOTORIZED IN-GROUND TRAFFIC SPIKE SYSTEM
DRAWN	RLS	12/02/13	SCALE: N/A	WEIGHT: N/A	SHEET 1		

DESCRIPTION  
 ENFORCER 12' (3.5M)  
 MOTORIZED IN-GROUND  
 TRAFFIC SPIKE SYSTEM