

MODEL RB-36

DIRECTIONAL TRAFFIC CONTROLLER

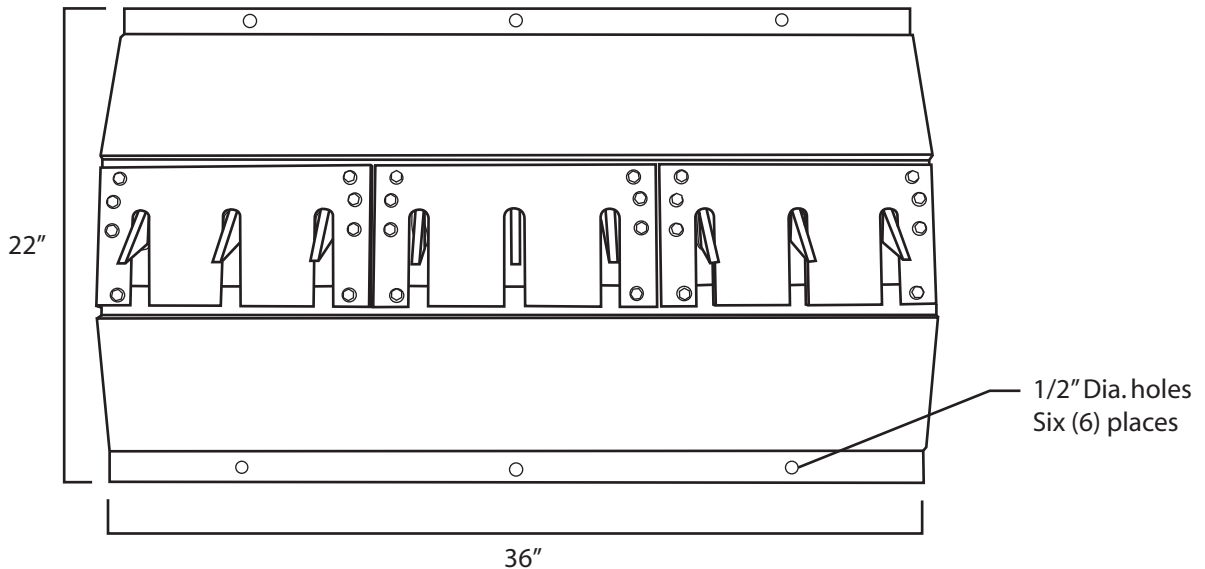
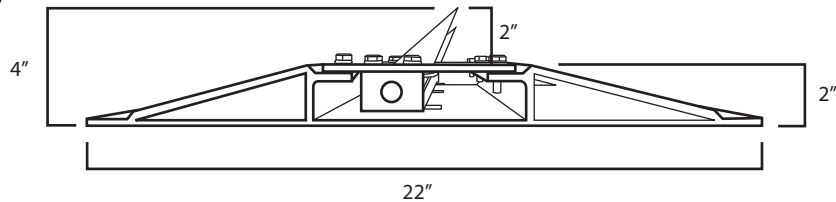
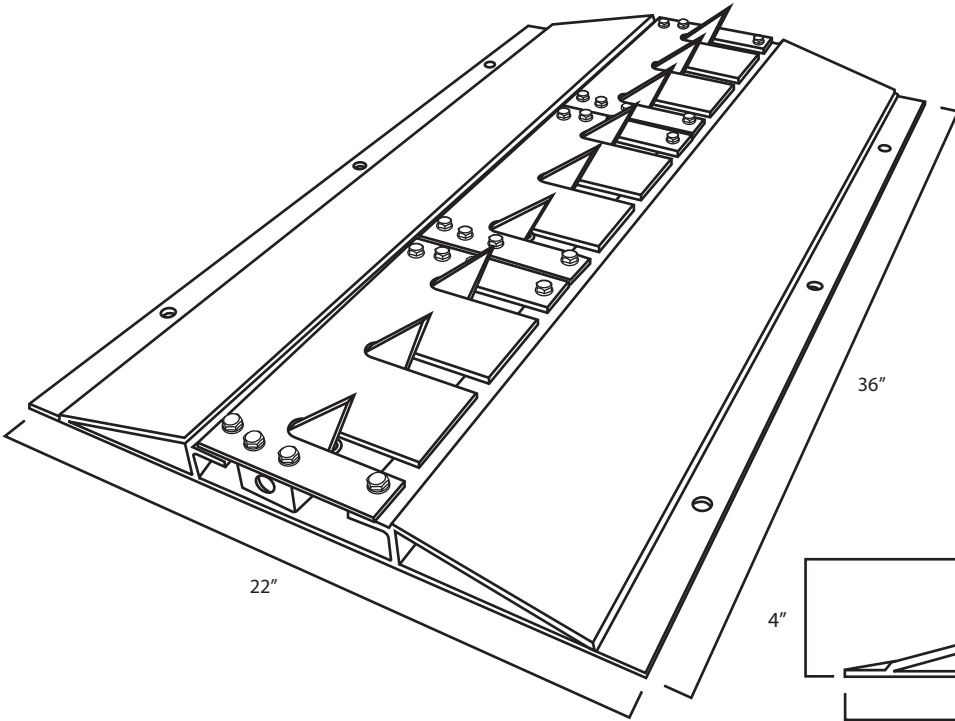


SECURE LANE LLC

(520)780-9751

sales@secure-lane.com

www.secure-lane.com



SURFACE MOUNT INSTALLLATION

COLOR: TRAFFIC SAFETY RED

- Easily installed to existing roadway.
- No excavating or asphalt cutting is required.
- Low profile for smooth passage.
- Fabricated in 3 ft. sections. to customize your traffic lane width.
- All welded construction.
- 1/4" thick hot rolled steel for "lasting durability".
- Nominal dimensions shown.

