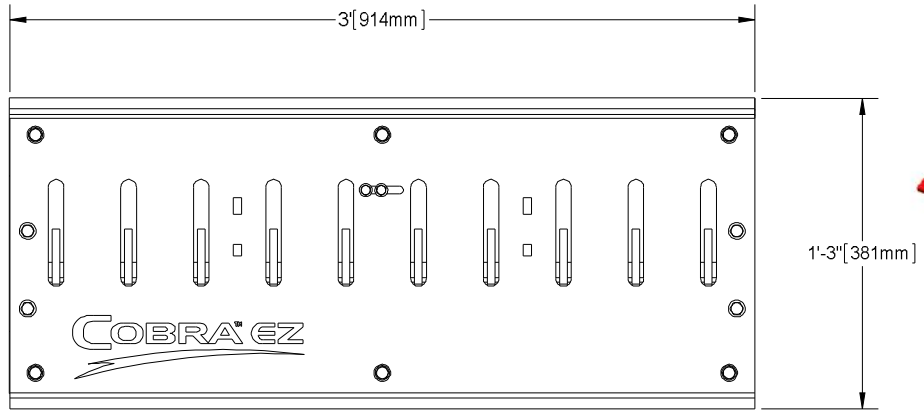


8 7 6 5 4 3 2 1

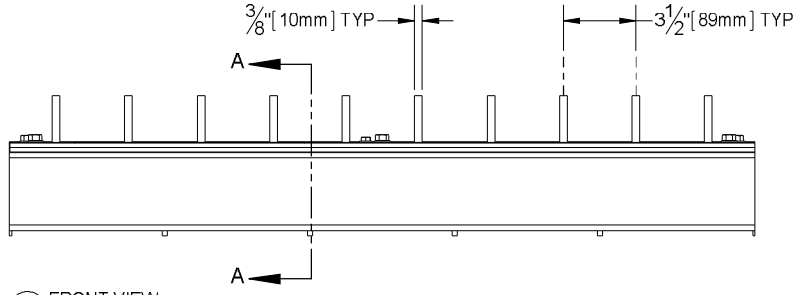
ALL STEEL CONSTRUCTION
 PART NUMBERS:
 11320.100 - PAINTED
 11320.120 - GALVANIZED
 11320.130 - POWDER COATED



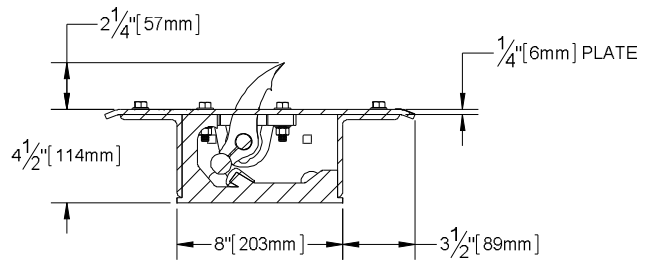
(A) TOP VIEW
SCALE NTS



(D) ISOMETRIC VIEW
SCALE NTS



(B) FRONT VIEW
SCALE NTS



SECTION A-A

(C) SIDE VIEW
SCALE NTS



Distributed by: SECURE LANE
 (520) 780-9751
 www.secure-lane.com

COPYRIGHT © 2013 GUARDIAN TRAFFIC SYSTEMS
 Proprietary Rights are included in all the information disclosed herein. This information is submitted in confidence and neither this document nor the information disclosed herein shall be reproduced or transferred to any other document, nor shall it be used or disclosed to any persons for manufacturing or any other reason except as specifically authorized in writing by Guardian Traffic Systems.

UNLESS OTHERWISE SPECIFIED:
 DIMENSIONS ARE IN INCHES
 TOLERANCES:
 FRACTIONAL ± 1/8"
 ANGULAR ± 0.0001°
 TWO PLACE DECIMAL ± 0.1
 THREE PLACE DECIMAL ± 0.005

MATERIAL		N/A		SIZE	PART NUMBER	REV
DO NOT SCALE DRAWING	NAME	DATE		B	11320	-
DRAWN	RLS	10/05/13		SCALE: N/A	WEIGHT: N/A	SHEET 1

DESCRIPTION
**COBRA EZ 3' (914mm)
 IN-GROUND TRAFFIC
 SPIKE SECTION**

8 7 6 5 4 3 2 1